

Desktop Sneeze Guards

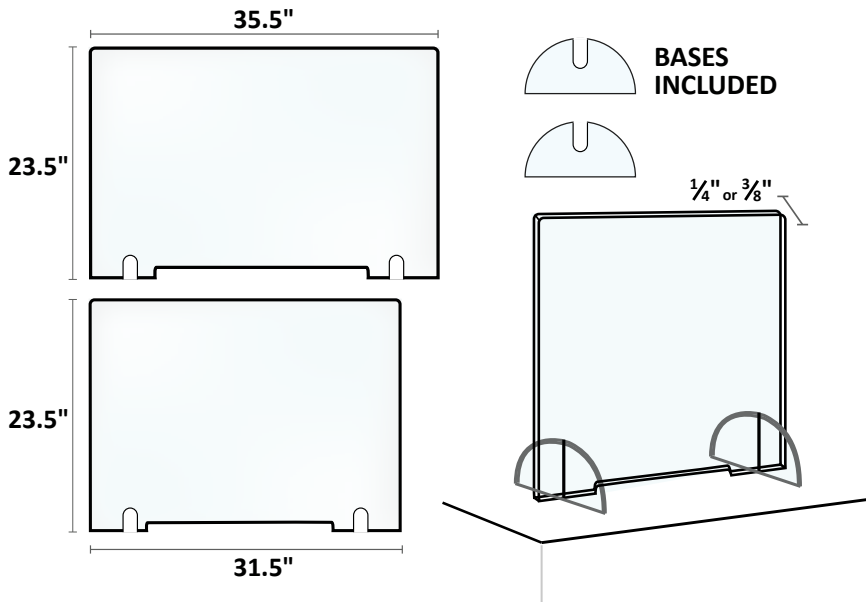
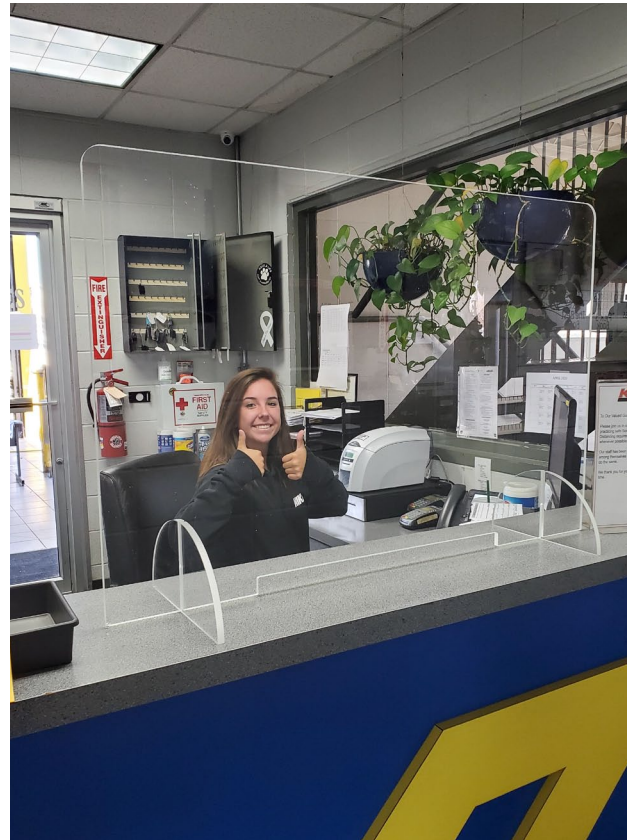
Social Distancing Protective Barriers

CALL (888) 768-5759 FOR BULK PRICING DISCOUNTS

Adding a desktop sneeze guard to any point-of-sale countertop is a proactive way to further protect your employees and customers.

Desktop sneeze guards are assembled in seconds, sliding into included bases with no hardware required. They can be used on any countertop, are easy to clean, and portable. Desktop sneeze guards come with a built-in 18" wide pass-through slot at the bottom to allow documents or wires through while remaining effective as a physical barrier.

Interstate Plastics also offers custom sizes on request and discounts for bulk purchases. Call us at (888) 768-5759 for more information and to place an order.



Standard Sizes:

35.5" x 23.5"

31.5" x 23.5"

1/4" and 3/8" Thickness

- Assembles in Seconds
- Custom Sizes Available
- Expedited Shipping Available
- Discounts for Bulk Orders
- Lightweight and Portable
- Easy to Clean and Disinfect

Slide on the included bases and assembly is complete!

330 Commerce Circle
 Sacramento, CA 95815
 (888) 768-5759

⚠ WARNING: This product can expose you to chemicals including Bisphenol A, CAS 80-05-7, which is known to the State of California to cause birth defects or other reproductive harm. For more information go to www.P65Warnings.ca.gov

WARNING: This product can expose you to chemicals including Ethyl acrylate, CAS 140-88-5, which are known to the State of California to cause cancer. For more information go to www.P65Warnings.ca.gov.



www.interstateplastics.com