

Brilliance Sneeze Guard Cleaning Instructions

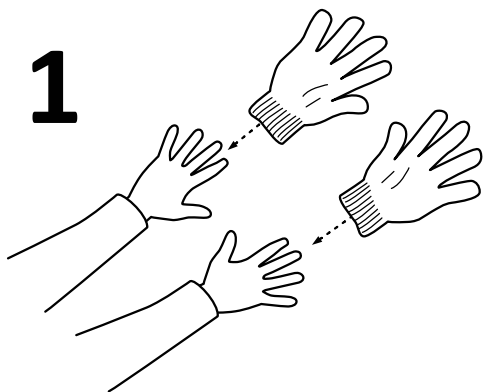


1. Wearing the included gloves, spray Brilliance 8 to 10 inches from surface, applying liberally until the entire surface has been covered.

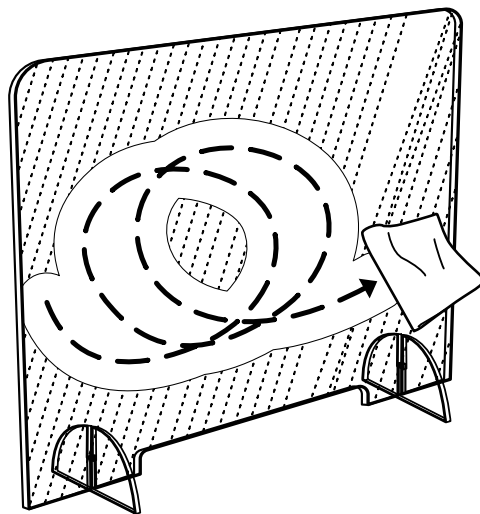
2. Wipe Brilliance away with an included microfiber towel after first inspecting them for dirt or lint. Always inspect microfiber towels for lint or dirt after washing.

3. For best results, use a second provided microfiber towel for drying.

1



2



3

