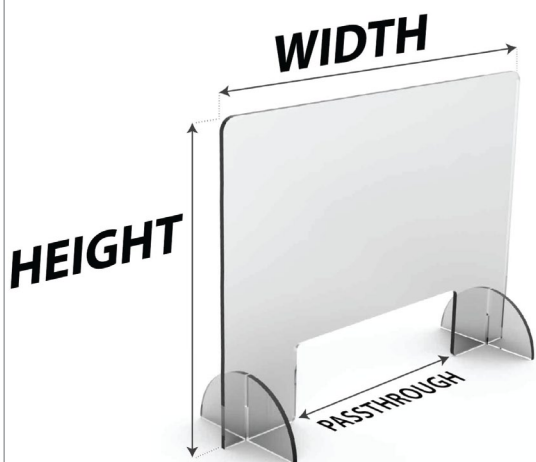


Custom Sneeze Guards

Cut-to-Size Guards with Custom Passthrough Sizes

Interstate Advanced Materials custom sneeze guards are durable and easy to setup. They are available in non-standard dimensions to suit any size desk or table. An optional passthrough is available in any desired dimensions. Our sneeze guards can be as large as 8 feet wide and 4 feet tall, or sized to fit a small desk or cashier station.



CUSTOM DIMENSION OPTIONS:

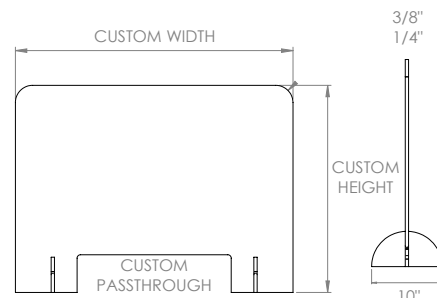
96" max. width
42" max. height

PASSTHROUGH OPTIONS:

84" max. width
36" max. height

MATERIAL THICKNESS:

1/4" 3/8"



Desktop Sneeze Guards

Custom Sizes Available, Instant Assembly, No Hardware Required

Desktop sneeze guards assemble in seconds, sliding into included bases with no hardware required. They can be used on any countertop, are easy to clean, and portable. Desktop sneeze guards come with a built-in 18" wide pass-through slot at the bottom to allow documents or wires through while remaining effective as a physical barrier. Custom sizes and discounts are available for bulk purchases.



HEIGHT OPTIONS:

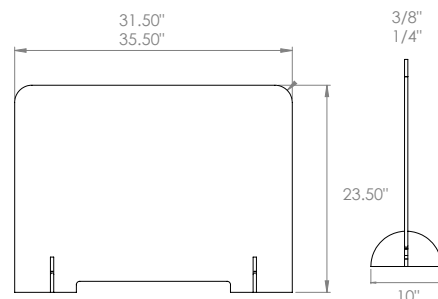
23.5"

WIDTH OPTIONS:

31.5" 35.5"

MATERIAL THICKNESS:

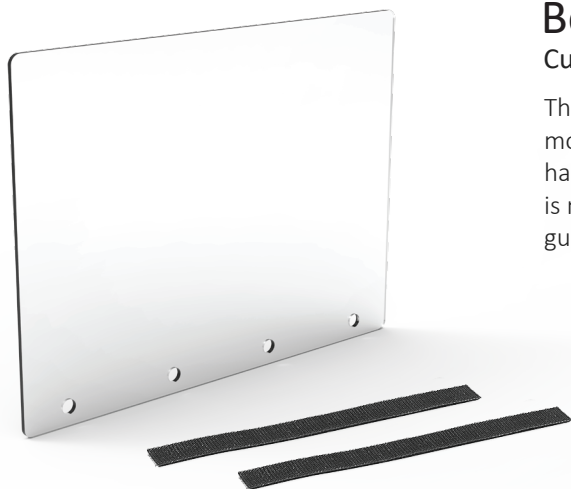
1/4" 3/8"



Bolt Mounted & Hanging Sneeze Guards

Custom Sizes Available, Rounded Corners, Pre-Drilled for Mounting/Hanging

These clear sheets with rounded corners come pre-drilled with two or four holes for mounting or hanging. Mounted sneeze guards are more securely connected and can handle more impact. Hanging sneeze guards are ideal for use when additional space is needed to regularly pass larger items or packages through the bottom of the guard, common in pharmacies, distribution centers, and post offices.



HEIGHT & WIDTH OPTIONS:

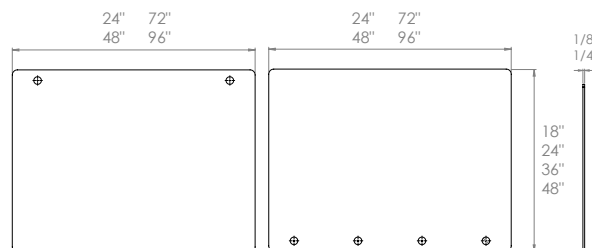
18" 24" 36"
48" 72" 96"

MATERIAL THICKNESS:

1/8" 1/4"

PRE-DRILLED HOLES:

2 or 4



Vertical Sneeze Guards

Custom Passthrough and Sneeze Guard Sizes Available, Instant Assembly

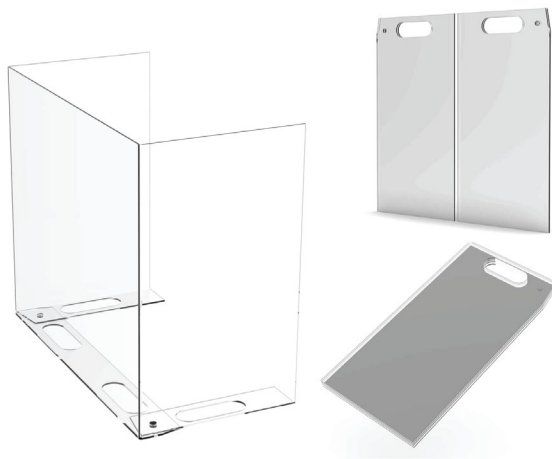
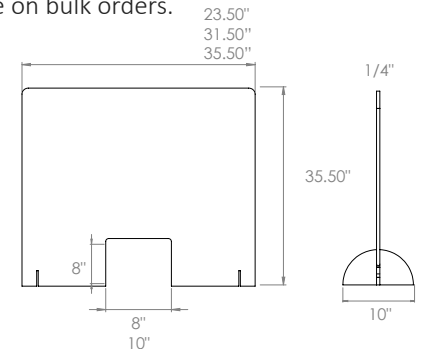
Vertical sneeze guards act as a barrier to impede airborne bacteria and viruses. They come with rounded corners and two removable base stands for easy assembly and storage. A built-in pass-through slot at the bottom allows documents, small objects, or wires to easily slip under the guard. The pass-through slot is available in sizes 8" x 8" or 10" x 8", with custom sizes available on bulk orders.



HEIGHT & WIDTH OPTIONS:
35.5" 31.5" 35.5"

PASSTHROUGH OPTIONS:
10" x 8" 8" x 8"

MATERIAL THICKNESS:
1/4"



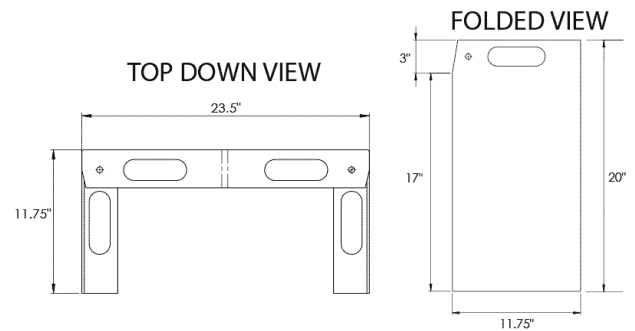
Folding Sneeze Guard for School Desks

Foldable School Desk Sneeze Guard with Built-In Carrying Handles

Our foldable sneeze guard allows students to conveniently store protective guards in their backpack. The guard features a handle when folded for easy transport and the entire design collapses into a portable and lightweight flat shape, making it suitable for everyday use in K-12 schools, colleges, universities, and even offices. Setup is achieved in seconds by unfolding the guard and snapping the support clips together.

FOLDED DIMENSIONS:
11.75" Wide x 20" Tall

UNFOLDED DIMENSIONS:
23.5" Wide x 17" Tall x 11.75" Depth



Teacher & Government Office Sneeze Guards

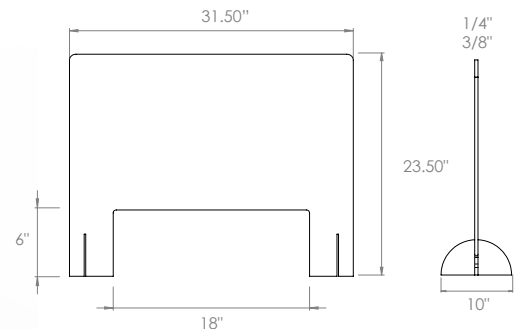
Portable Sneeze Guard with a Wide Passthrough for Books & Packages

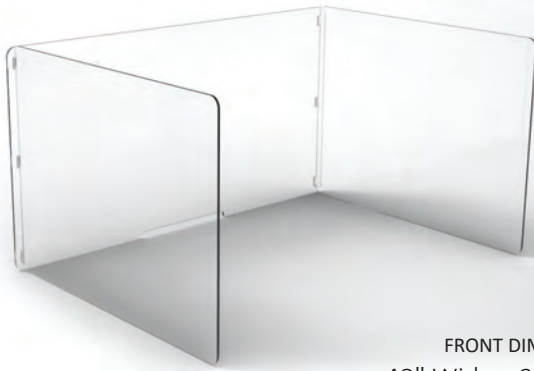
Perfect for primary and secondary schools, high schools, colleges, universities, government offices, and post offices, these versatile barriers feature a passthrough large enough for books, binders, and small packages. Slide on the included bases and assembly is complete! Interstate Plastics offers custom sizes on request and discounts for bulk purchases.

HEIGHT & WIDTH :
31.5" Wide x 23.5" Tall

PASSTHROUGH:
18" x 6"

MATERIAL THICKNESS:
1/4"





Portable Desk Partition PPB

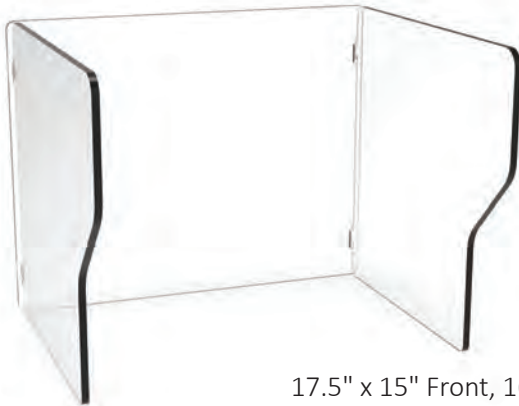
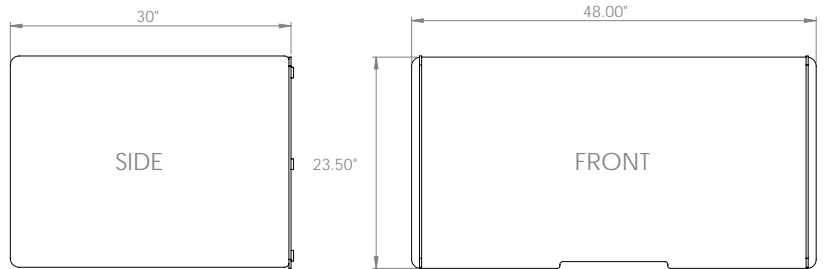
U-Shaped Desk Partitions for Creating Protected Workspaces

Portable desk sneeze guard partitions act as a physical barrier to create protected workspaces for employees, students, and educators. Portable desk partitions include 3 sheets that interlock at the edges to create a 'U' shaped barrier. In front is a .75" tall x 12" wide passthrough for papers and charging cables. Our standard sizes fit most desks and custom sizes can be ordered for any application in K-12 schools, colleges, universities, and government facilities.

FRONT DIMENSIONS:
48" Wide x 23.5" Tall

SIDE DIMENSIONS:
30" Wide x 23.5" Tall

MATERIAL THICKNESS:
1/4" 3/8"



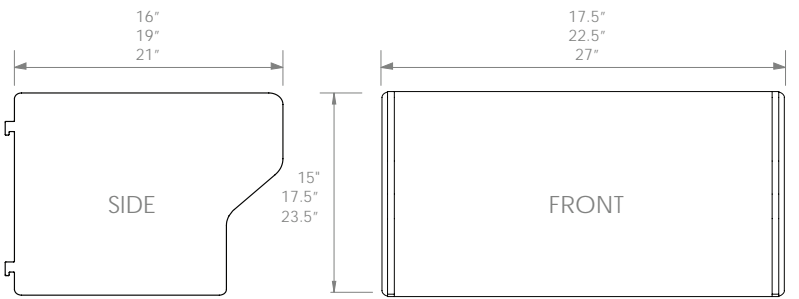
Portable Desk PPB with Tapered Ends

U-Shaped Desk Partitions with Tapered Ends for Added Elbow Room

Our portable sneeze guards assemble in seconds with no tools required. Tapered ends on each side panel allow for more elbow room and space to work while remaining effective as a physical barrier. Our tapered school desk PPB comes in 3 standard sizes that fit most desks. Custom sizes are available upon request and can be customized for any application in K-12 schools, universities, libraries, and government facilities.

DIMENSIONS:
17.5" x 15" Front, 16" x 15" Side
22.5" x 17.5" Front, 19" x 17.5" Side
27" x 23.5" Front, 21" x 23.5" Side

MATERIAL THICKNESS:
3/16"



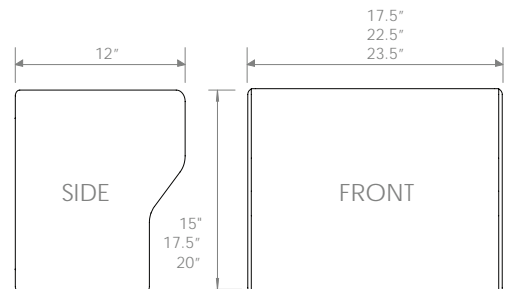
One-Piece Desk PPB with Tapered Ends

Pre-Assembled Standalone Guard for Schools, Universities, & Workspaces

Our portable one-piece desk sneeze guard is a single pre-assembled unit of clear plastic designed to surround desks, creating a protected and safe workspace. This lightweight U-shaped physical barrier does not obstruct the view of employees, students, or academic professionals. While lightweight and portable, bent base flaps prevent the guard from moving around. Velcro strips are included to adhere the guard in place if desired.

DIMENSIONS:
17.5" x 15" Front, 15" x 12" Side
22.5" x 17.5" Front, 17.5" x 12" Side
23.5" x 20" Front, 20" x 12" Side

MATERIAL THICKNESS:
1/16"



Office & Cafeteria Portable Table Dividers

Modular interlocking clear dividers provide solutions for any tabletop!

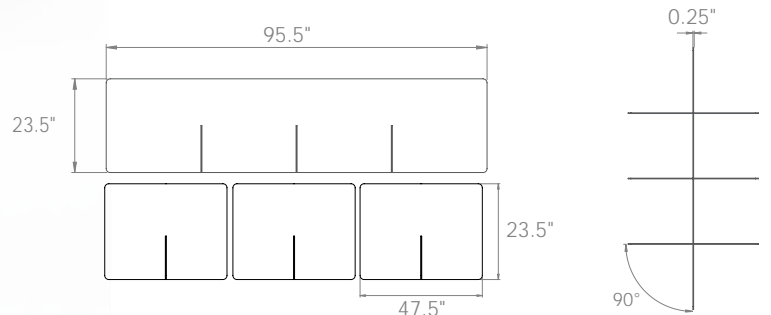
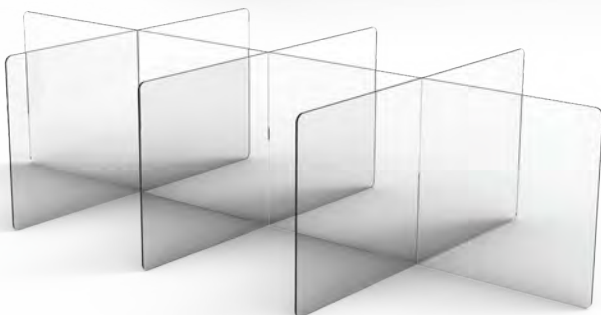
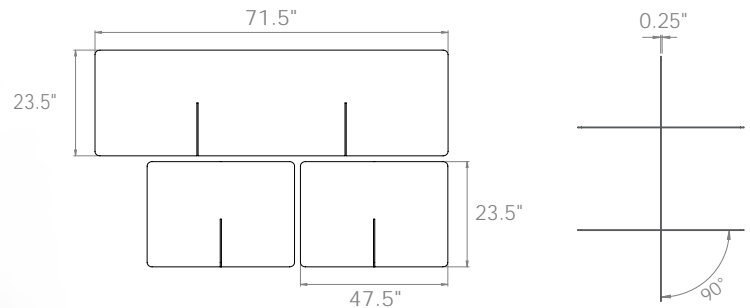
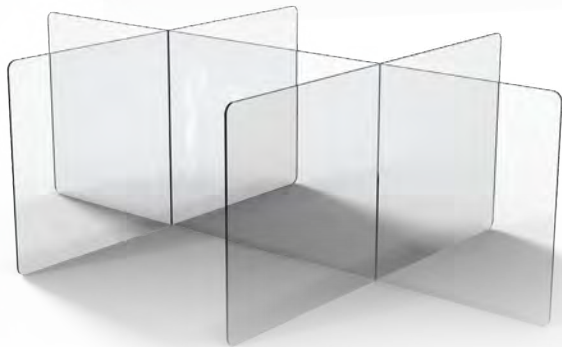
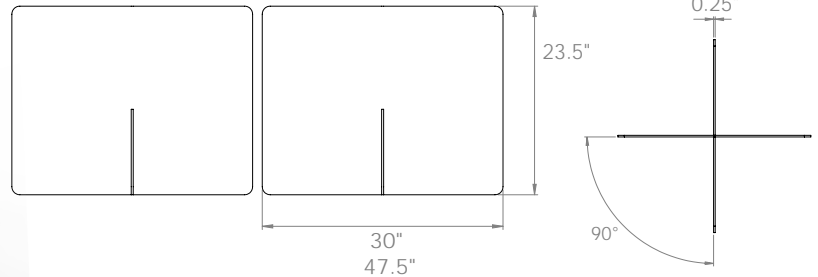
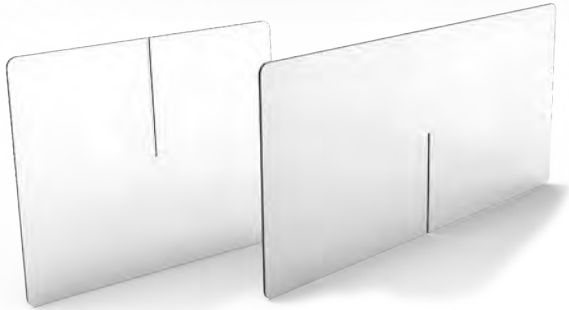
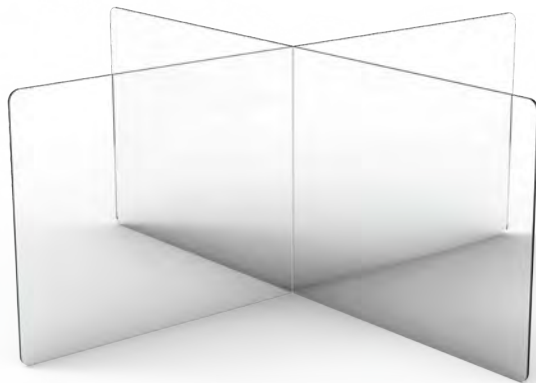
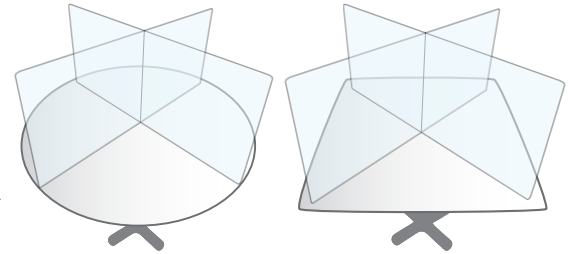
Adding a portable table divider is a proactive way to further protect your employees and customers in break rooms, cafeterias, restaurants, commons, and other public areas. Our portable table dividers ship flat and slide together for instant assembly with no hardware required.

Our table dividers can be used on any countertop, are easy to clean, and portable. We offer dividers for circular and rectangular tables in a variety of sizes. Discounts for bulk purchases are available, as well as custom sizes on request.

Custom Sizes Available!

Call us at **(888) 768-5759** for more information and to place an order.

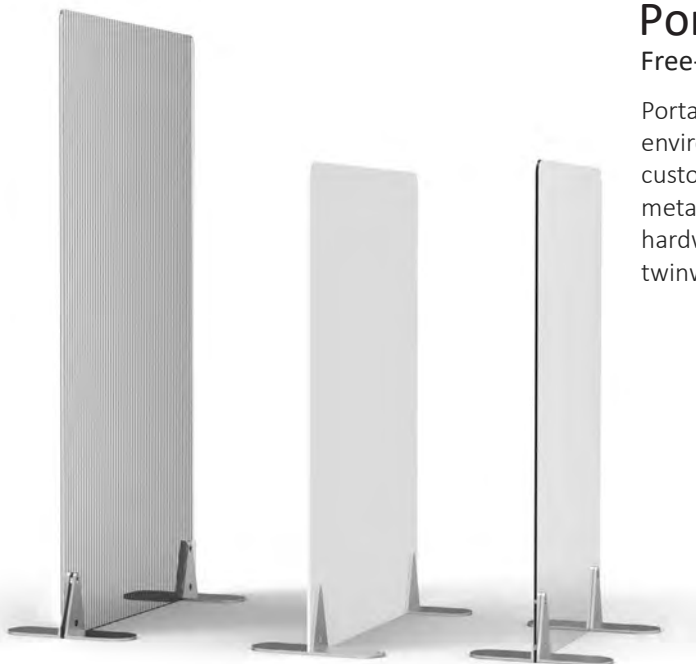
- Assembles in Seconds
- Custom Sizes Available
- Expedited Shipping Available
- Discounts for Bulk Orders
- Lightweight and Portable
- Easy to Clean and Disinfect
- Works Great for Both Circular and Rectangular Tables



Portable Office Barriers

Free-standing Office Barriers With Base Mounts

Portable office barriers are free-standing sheets for office and retail environments that act as portable sneeze guards to protect employees and customers even in both large and small spaces. Office barriers come with metal base mounts that allow the barrier to stand upright without additional hardware. Barriers are available in clear and opal translucent polycarbonate twinwall, opaque white and black expanded PVC, and clear acrylic.



HEIGHT OPTIONS:

72" 96"

WIDTH OPTIONS:

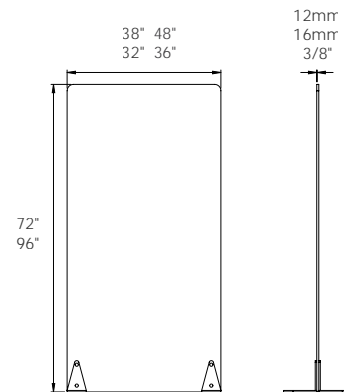
32" 36" 38"
48" 72" 96"

MATERIAL THICKNESS:

12mm 16mm 3/8"

MATERIAL OPTIONS:

Acrylic
Twinwall
Foam PVC



Office Partition Extensions

Free-standing Office Barriers With Base Mounts

Partition extensions snap on to existing office and cubicle partitions, raising the physical barrier between workspaces without interfering with office lighting. At 1/4" thick, these partition extensions are sturdy and can be sanitized with non-abrasive cleaners. All office partition extensions include an intersecting partition cap that secures together both parallel and perpendicular extensions.

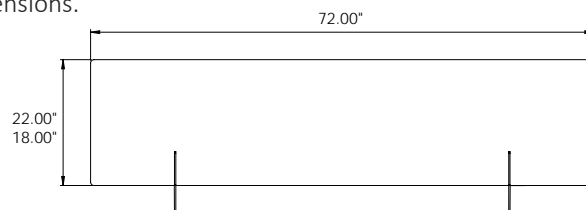


DIMENSIONS:

1/4" x 18" x 72"
1/4" x 22" x 72"

MATERIAL THICKNESS:

1/4"



Urinal Partition Extensions

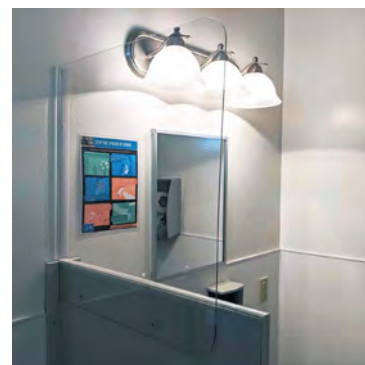
Mountable Dividers For Extending Urinal Partitions

These extensions have a 90° angled 2" wide mounting face making it easy to raise urinal partitions. Urinal partition extensions come with 4 pre-drilled holes for convenient mounting on walls and existing partitions: 2 along the bottom of the sheet, and 2 along the mounting face. A Velcro strip is also included for areas where hardware cannot be used. They can be easily sanitized using non-abrasive cleaners. Custom sizes are available for bulk orders.



DIMENSIONS:

1/8" x 22" x 24"



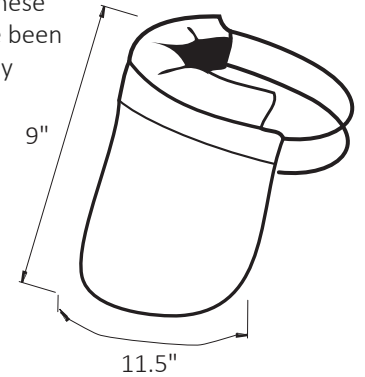


Hospital-Approved Face Shields

American-Made Face Protection Approved for Use in Hospitals

These comfortable face protection masks feature a 9" tall x 11.75" wide piece of flexible plastic that surrounds the face to protect from airborne threats, as well as a foam headband to provide a comfortable distance between the face and shield. The attached elastic band keeps these protective masks securely in place. They have been approved for use in hospitals and have already been put to use by medical professionals.

- Bulk discounts available
- 9" tall x 11.75" wide flexible plastic piece
- Approved for use in hospitals
- Made in the U.S.A.
- Secure elastic band keeps mask in place
- Foam headband creates a comfortable distance between the shield and face



Aerosol Blocking Intubation Shields

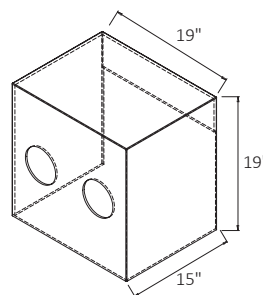
Easy and Safe Access to Patients, Stacks for Easy Shipping

PRE-ASSEMBLED:

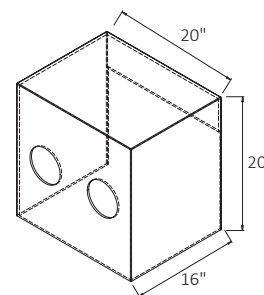
Pre-assembled aerosol blocking shields are ready to deploy without assembly. Order all three sizes for optimal stacked shipping. These shields allow doctors safe access to patient airways while minimizing the risk of airborne virus transmission. Two holes allow the unrestricted use of arms during the tracheal intubation process and protect doctors from potential exposure to dangerous aerosols. It is recommended for use whether or not PAPRs are available to maximize protection for healthcare providers during tracheal intubation and tracheostomies.

SELF-ASSEMBLED:

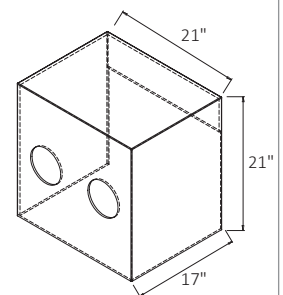
Pre-assembled aerosol blocking shields ship flat and quickly snap together to allow doctors safe access to patient airways while minimizing the risk of airborne virus transmission. The shield can be assembled and disassembled into 5 pieces to allow for extra portability and can be stored flat. Two holes allow the unrestricted use of arms during the tracheal intubation process and protect doctors from potential exposure to dangerous aerosols. Both pre- and self- assembled intubation shields come in the following three sizes:



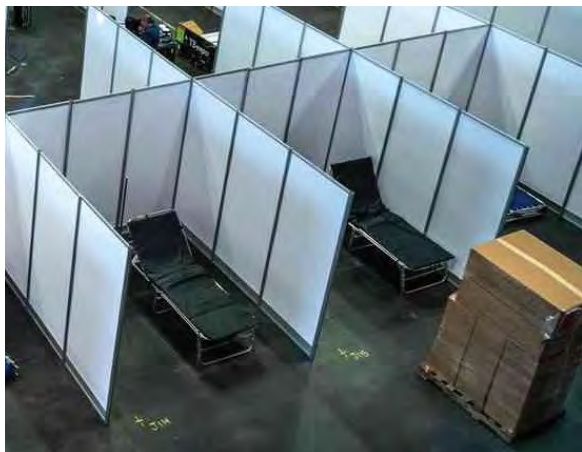
SMALL



MEDIUM



LARGE



Hospital & Medical Room Wall Dividers

White Expanded PVC for Portable Partition Wall Systems

Hospital wall guards are made of lightweight, tough, and high-strength expanded white PVC. Expanded PVC sheets are a cost-effective, chemically resistant, and durable choice to form these hospital privacy screens or barriers. Their light weight allows them to be rapidly deployed in the field where necessary.

HEIGHT & WIDTH OPTIONS:

24" x 48"

48" x 48"

48" x 96"

THICKNESS OPTIONS:

0.236" 0.394"



Cleaning Solutions for Protective Panels

Use approved cleaning solutions to avoid crazing and damage.

Periodic cleaning using proper procedures and compatible cleaners is recommended to prolong the service life of acrylic and polycarbonate protective barriers, sneeze guards, and like products. To maintain the optical clarity of sneeze guards and other acrylic or polycarbonate items, use an acrylic or polycarbonate safe cleaner like Novus Plastic Polish #1, Brilliantize Plastic Cleaner, or a mild soap solution. Give us a call to find the right cleaning and sanitizing solutions for your application.

RECOMMENDED PLASTIC SAFE CLEANERS:

IP 4080 Disinfectant

Brilliantize Plastic Cleaner

Novus #1 Plastic Clean & Shine



Scratch Repair Solutions for Protective Panels

A Three-Step Novus Plastic Cleaning & Repair Solution

Our Novus scratch removal kit contains everything you need to restore most clear plastics, especially acrylic. In addition to a microfiber cloth, three cleaning cloths, and an instructional guide, the Novus scratch removal kit includes:

Plastic Clean and Shine (Novus #1): Gently cleans most types of plastics and leaves a shine that resists fogging, keeps dirt away and eliminates static.

Fine Scratch Remover (Novus #2): Removes very fine scratches, haziness, and abrasions from most plastics. *Not recommended for use on coated plastics.*

Heavy Scratch Remover (Novus #3): Removes heavier scratches and abrasions from acrylic surfaces. *Not recommended for use on polycarbonate or coated plastics.*