

Portable School Desk PPB

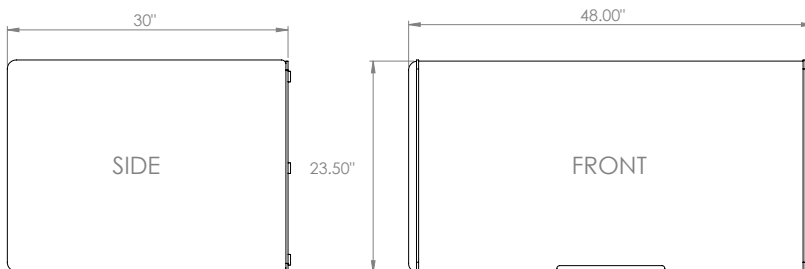
U-Shaped School Desk Partitions for Creating Protected Workspaces

School desk sneeze guard partitions act as a physical barrier to create protected workspaces for students and teachers. Portable school desk partitions include 3 sheets that interlock at the edges to create a 'U' shaped barrier. In front is a .75" tall x 12" wide passthrough for papers and charging cables. Our standard sizes fit most school desks and custom sizes can be ordered for any application in K-12 schools, colleges, and universities.

FRONT DIMENSIONS:
48" Wide x 23.5" Tall

SIDE DIMENSIONS:
30" Wide x 23.5" Tall

MATERIAL THICKNESS:
1/4" 3/8"



PPB SOLUTIONS FOR
K-12 SCHOOLS
COLLEGES
UNIVERSITIES
LIBRARIES



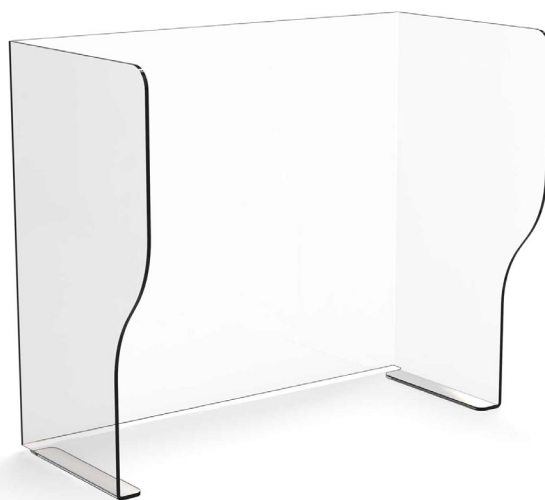
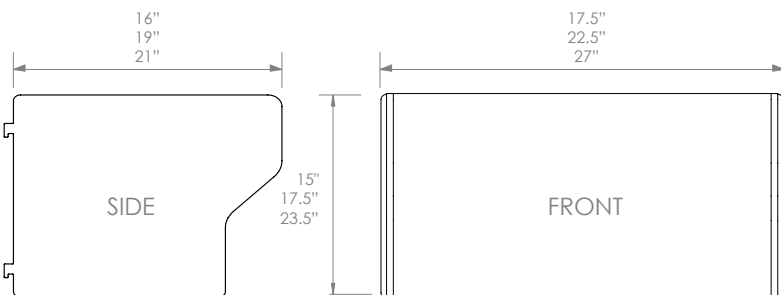
Portable School Desk PPB with Tapered Ends

U-Shaped School Desk Partitions with Tapered Ends for Added Elbow Room

Our portable school sneeze guards assemble in seconds with no tools required. Tapered ends on each side panel allow for more elbow room and space to work while remaining effective as a physical barrier. Our tapered school desk PPB comes in 3 standard sizes that fit most school desks. Custom sizes are available upon request and can be customized for any application in K-12 schools, universities, and libraries.

DIMENSIONS:
17.5" x 15" Front, 16" x 15" Side
22.5" x 17.5" Front, 19" x 17.5" Side
27" x 23.5" Front, 21" x 23.5" Side

MATERIAL THICKNESS:
3/16"



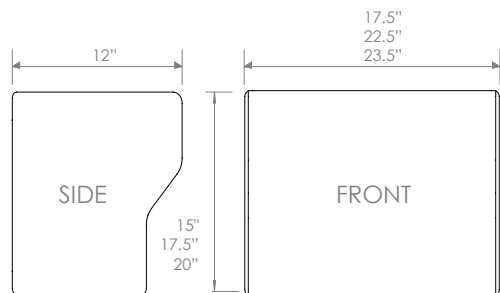
One-Piece Desk PPB with Tapered Ends

Pre-Assembled Standalone Guard for Schools, Universities, & Workspaces

Our portable one-piece desk sneeze guard is a single pre-assembled unit of clear plastic designed to surround desks, creating a protected and safe workspace. This lightweight U-shaped physical barrier does not obstruct the view of students or academic professionals. While lightweight and portable, bent base flaps prevent the guard from moving around. Velcro strips are included to adhere the guard in place if desired.

DIMENSIONS:
17.5" x 15" Front, 15" x 12" Side
22.5" x 17.5" Front, 17.5" x 12" Side
23.5" x 20" Front, 20" x 12" Side

MATERIAL THICKNESS:
1/16"



Vertical Sneeze Guards

Custom Passthrough and Sneeze Guard Sizes Available, Instant Assembly

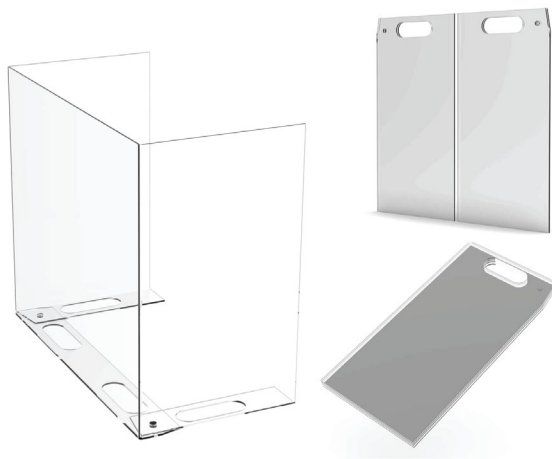
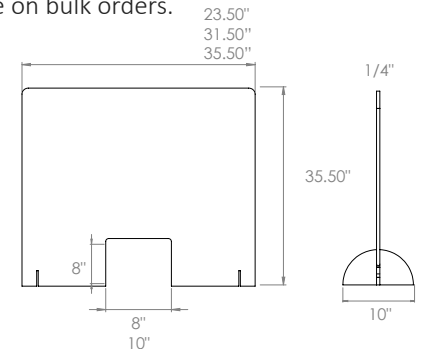
Vertical sneeze guards act as a barrier to impede airborne bacteria and viruses. They come with rounded corners and two removable base stands for easy assembly and storage. A built-in pass-through slot at the bottom allows documents, small objects, or wires to easily slip under the guard. The pass-through slot is available in sizes 8" x 8" or 10" x 8", with custom sizes available on bulk orders.



HEIGHT & WIDTH OPTIONS:
35.5" 31.5" 35.5"

PASSTHROUGH OPTIONS:
10" x 8" 8" x 8"

MATERIAL THICKNESS:
1/4"



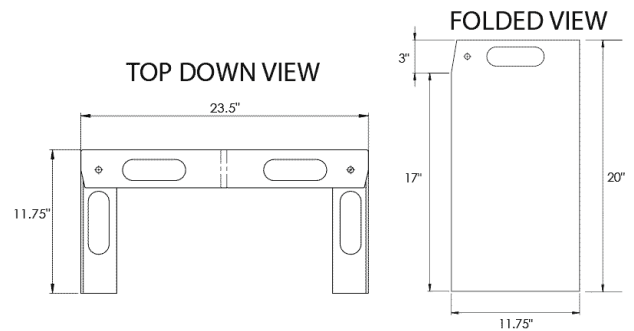
Folding Sneeze Guard for School Desks

Foldable School Desk Sneeze Guard with Built-In Carrying Handles

Our foldable sneeze guard allows students to conveniently store protective guards in their backpack. The guard features a handle when folded for easy transport and the entire design collapses into a portable and lightweight flat shape, making it suitable for everyday use in K-12 schools, colleges, universities, and even offices. Setup is achieved in seconds by unfolding the guard and snapping the support clips together.

FOLDED DIMENSIONS:
11.75" Wide x 20" Tall

UNFOLDED DIMENSIONS:
23.5" Wide x 17" Tall x 11.75" Depth



Teacher Office Desk Sneeze Guards

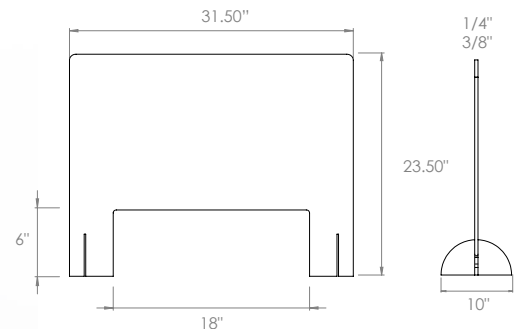
Portable Sneeze Guard with a Wide Passthrough for Books & Packages

Perfect for primary and secondary schools, high schools, colleges, universities, government offices, and post offices, these versatile barriers feature a passthrough large enough for books, binders, and small packages. Slide on the included bases and assembly is complete! We offer custom sizes on request and discounts for bulk purchases.

HEIGHT & WIDTH :
31.5" Wide x 23.5" Tall

PASSTHROUGH:
18" x 6"

MATERIAL THICKNESS:
1/4"



School Reception Desk & Front Desk PPB

Portable Reception Desk PPB With a Passthrough for Papers and ID Cards

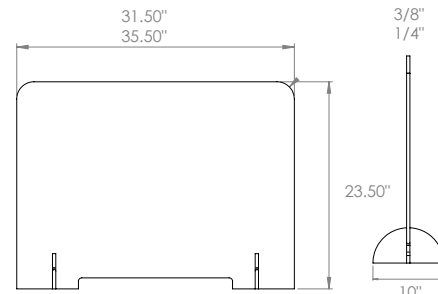
Perfect for school receptionists and front desk attendants, these portable barriers are also ideal for teachers and professors in classrooms where the passthrough only needs to accommodate papers. It protects students and educators while maintaining an unobstructed view. Slide on the included bases and assembly is complete! We offer custom sizes on request and discounts for bulk purchases.



HEIGHT & WIDTH OPTIONS :
 31.5" Wide x 23.5" Tall
 35.5" Wide x 23.5" Tall

PASSTROUGH:
 18" x 1"

MATERIAL THICKNESS:
 1/4" 3/8"



Teacher & Librarian Desk PPB

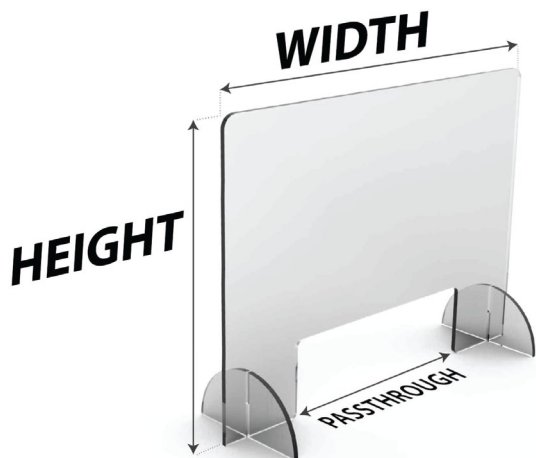
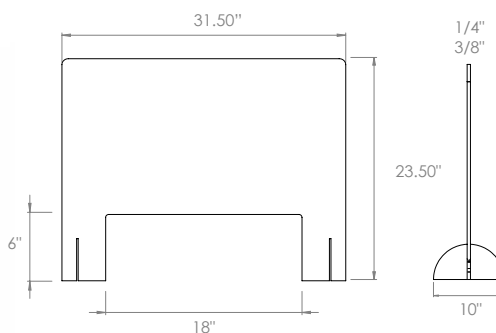
Portable Desk PPB With a Wide Passthrough for Books and Papers

Perfect for libraries, primary and secondary schools, high schools, colleges, and universities, these versatile barriers protect students and educators, and feature a passthrough large enough for books, binders, and school papers. Slide on the included bases and assembly is complete! We offer custom sizes on request and discounts for bulk purchases.

HEIGHT & WIDTH :
 31.5" Wide x 23.5" Tall

PASSTROUGH:
 18" x 6"

MATERIAL THICKNESS:
 1/4"



Custom Sneeze Guards

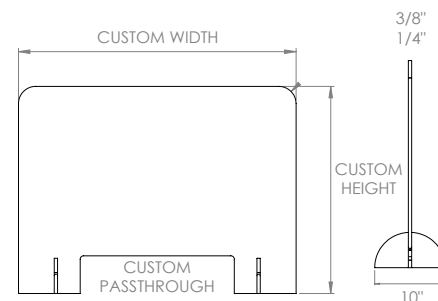
Cut-to-Size Guards with Custom Passthrough Sizes

Interstate Advanced Materials custom sneeze guards are durable and easy to setup. They are available in non-standard dimensions to suit any size desk or table. An optional passthrough is available in any desired dimensions. Our sneeze guards can be as large as 8 feet wide and 4 feet tall, or sized to fit a small desk or cashier station.

CUSTOM DIMENSION OPTIONS:
 96" max. width
 42" max. height

PASSTROUGH OPTIONS:
 84" max. width
 36" max. height

MATERIAL THICKNESS:
 1/4" 3/8"



Classroom & Cafeteria Table Dividers

School Sneeze Guard and PPB Solutions for Tables

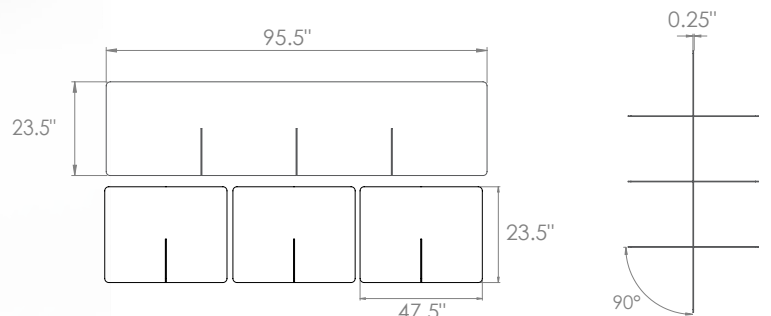
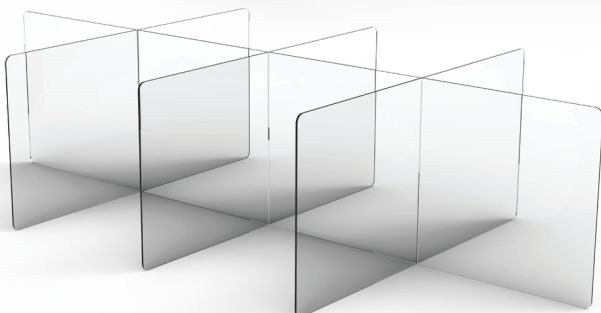
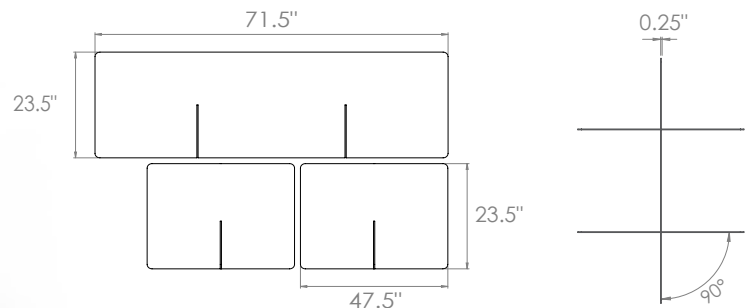
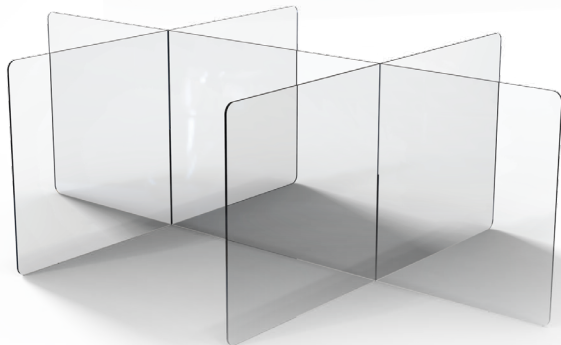
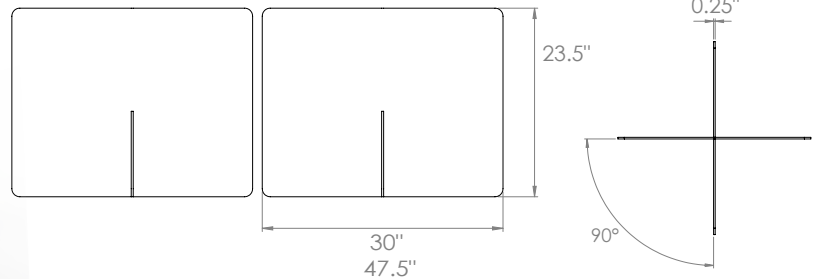
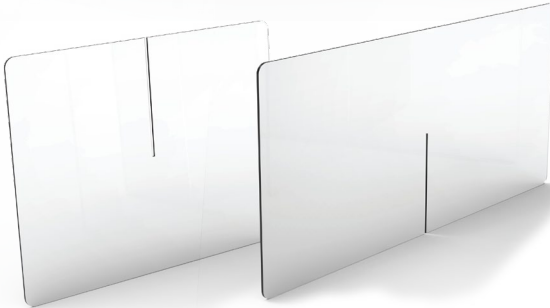
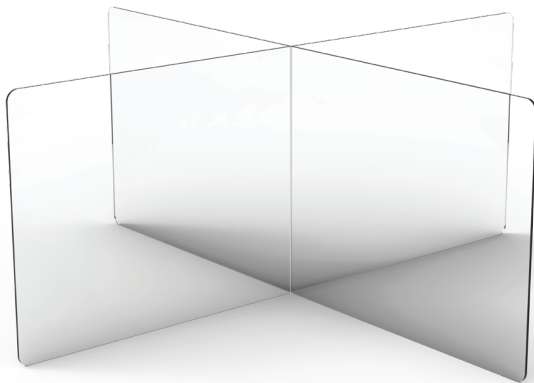
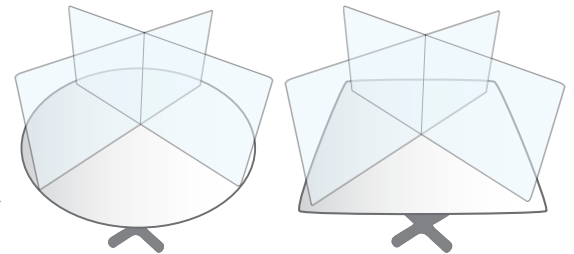
Classroom and cafeteria table dividers help protect educators and students, allowing schools to safely remain open. Our modular panels work for any table size: from round classroom workstation tables, to long and rectangular dining hall tables, these protective panels are easy to sanitize and don't obstruct views. They are durable and do not break or shatter, even under high impact.

We offer these classroom and cafeteria table dividers in a variety of sizes. Discounts for bulk purchases are available, as well as custom sizes on request.

Custom Sizes Available!

Call us at **(888) 768-5759** for more information and to place an order.

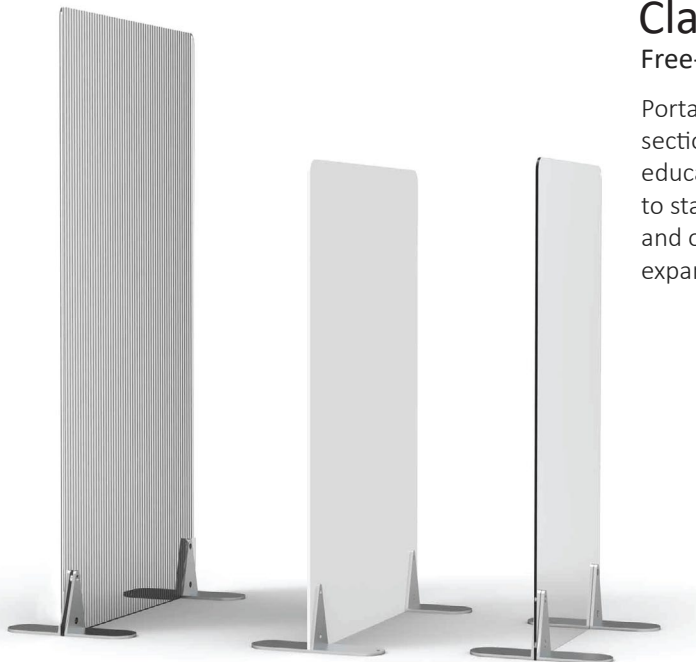
- Assembles in Seconds
- Custom Sizes Available
- Expedited Shipping Available
- Discounts for Bulk Orders
- Lightweight and Portable
- Easy to Clean and Disinfect
- Works Great for Both Circular and Rectangular Tables



Classroom & Gymnasium Dividers

Free-standing Classroom and Gymnasium PPB with Base Mounts

Portable classroom and gymnasium barriers are free-standing sheets for sectioning off large classrooms or gymnasiums to protect students and educators. These dividers come with metal base mounts that allow the barrier to stand upright without additional hardware. Barriers are available in clear and opal translucent polycarbonate twinwall, opaque white and black expanded PVC, and clear acrylic.



HEIGHT OPTIONS:

72" 96"

WIDTH OPTIONS:

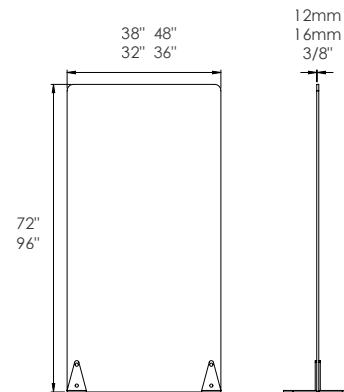
32" 36" 38"
48" 72" 96"

MATERIAL THICKNESS:

12mm 16mm 3/8"

MATERIAL OPTIONS:

Acrylic
Twinwall
Foam PVC



Classroom Divider Extensions

Clip-On Extension Barriers For Existing Classroom Dividers

These classroom partition extensions snap on to existing dividers, raising the physical barrier between workspaces without interfering with classroom lighting. At 1/4" thick, these partition extensions are sturdy and can be sanitized with non-abrasive cleaners. All partition extensions include an intersecting partition cap that secures together both parallel and perpendicular extensions.

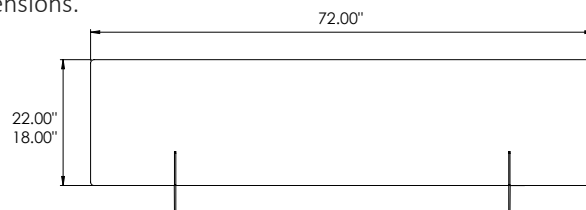


DIMENSIONS:

1/4" x 18" x 72"
1/4" x 22" x 72"

MATERIAL THICKNESS:

1/4"



Urinal Partition Extensions

Mountable Dividers For Extending Urinal Partitions

These extensions have a 90° angled 2" wide mounting face making it easy to raise urinal partitions. Urinal partition extensions come with 4 pre-drilled holes for convenient mounting on walls and existing partitions: 2 along the bottom of the sheet, and 2 along the mounting face. A Velcro strip is also included for areas where hardware cannot be used. They can be easily sanitized using non-abrasive cleaners. Custom sizes are available for bulk orders.

DIMENSIONS:

1/8" x 22" x 24"

