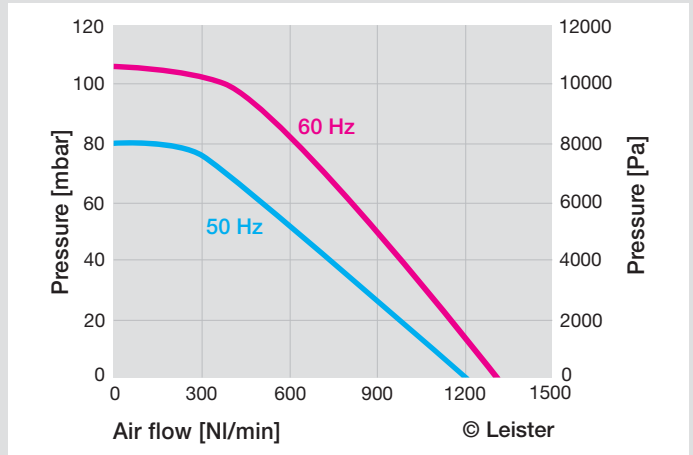


ROBUST: The name speaks for itself.

Very compact design with enormous power. Thanks to the efficient sound insulation it is very quiet, can be installed in all orientations and is indestructible even under extreme conditions and in continuous operation.

High pressure blower

ROBUST

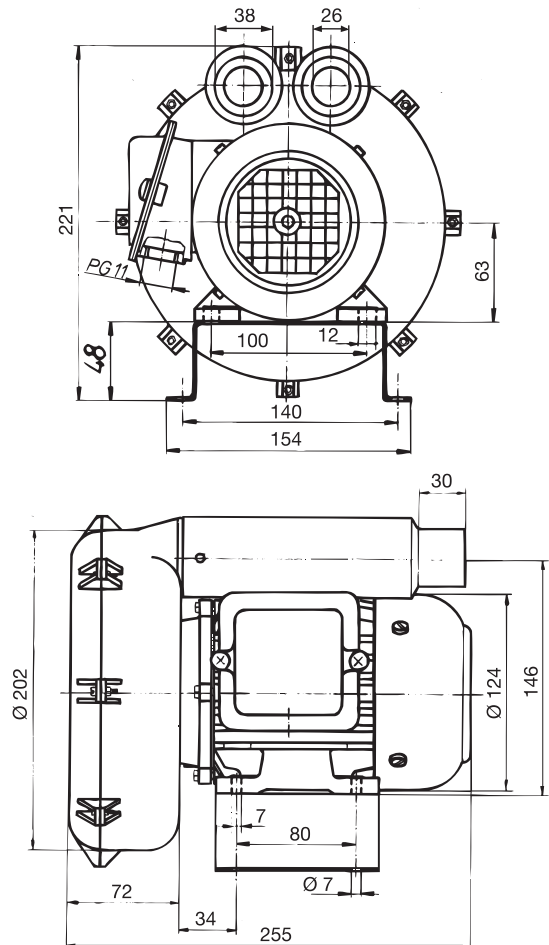


Technical data

Design regenerative blower

	Hz	50	60
Frequency	Hz	50	60
Air flow (20 °C)	l/min	1200	1300
Static pressure	Pa	8000	10500
Max. ambient temperature	°C	60	60
Noise emission level	LpA (dB)	62	62
Environmental protection (IEC 60529)		IP 54	IP 54
Outside diameter air inlet	mm	∅ 38	∅ 38
Outside diameter air outlet	mm	∅ 38	∅ 38
Weight	kg	8.0	8.0
Mark of conformity		CE	CE
Protection classe I		⊕	⊕

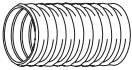
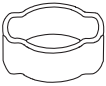

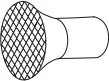
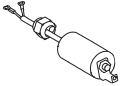
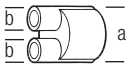
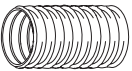


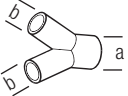
Installation dimensions in mm



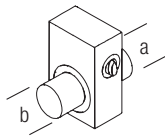
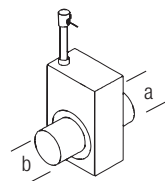
Voltage	V~	50Hz	1 x 120	1 x 230	3 x 230 / 400	3 x 500
		60Hz			3 x 440 - 480	
Power consumption	W		250	250	250	250
Without cable	Order no.		103.434		103.429	103.435
3 m cable / Euro plug	Order no.		103.432			

Additional versions on request

Accessories High pressure blower ROBUST
(Ø 38 mm)

107.350		PVC air hose, Ø 19 mm
107.290		Hose clip for Ø 19 mm air hose
107.242		Closing cap Ø 19 mm attachable to hose connection adaptor 107.298
107.354		Stainless steel filter push-fit on air intaker
108.623 104.017		Motor capacitor 230 V~ Motor capacitor 120 V~
107.298		Hose connection adaptor, push-fit on ROBUST blower and adaptor 107.293 for hose connection a = 38 mm, b = 19 mm
107.286		PVC air hose, Ø 38 mm
107.287		Hose clip for Ø 38 and Ø 60 mm air hose
107.241		Closing cap Ø 38 mm push-fit on hose connection adaptors 107.292 and 107.293
107.293		Hose connection adaptor, push-fit a = 38 mm, b = 38 mm

Air flow adjuster and on/off switch

108.755		Hand operated air flow adjuster and on/off switch. Size 214 × 88 × 133 mm a = 40 mm, b = 38 mm
		> ROBUST
107.299		Air flow off/on switch The air flow is interrupted on command (pneumatic 5 bar) to the heaters. Size 214 × 88 × 133 mm a = 40 mm, b = 38 mm
		> ROBUST

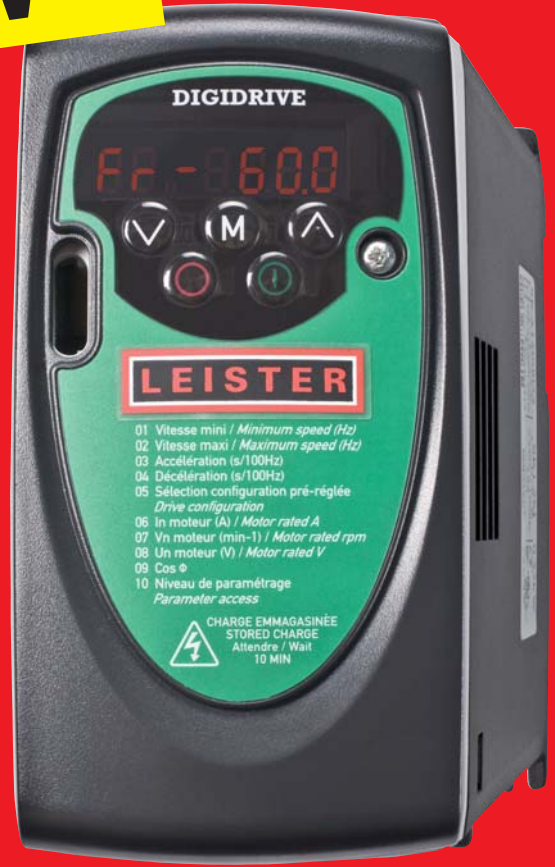
Special nozzles on request

If using non-Leister blowers, compressors and accessories no guarantee can be given by us



PROCESS HEAT

NEW



**Frequency converter
for Leister blowers.**

**More power,
variable air volume,
controllable via
remote control.**



ROBUST

SILENCE

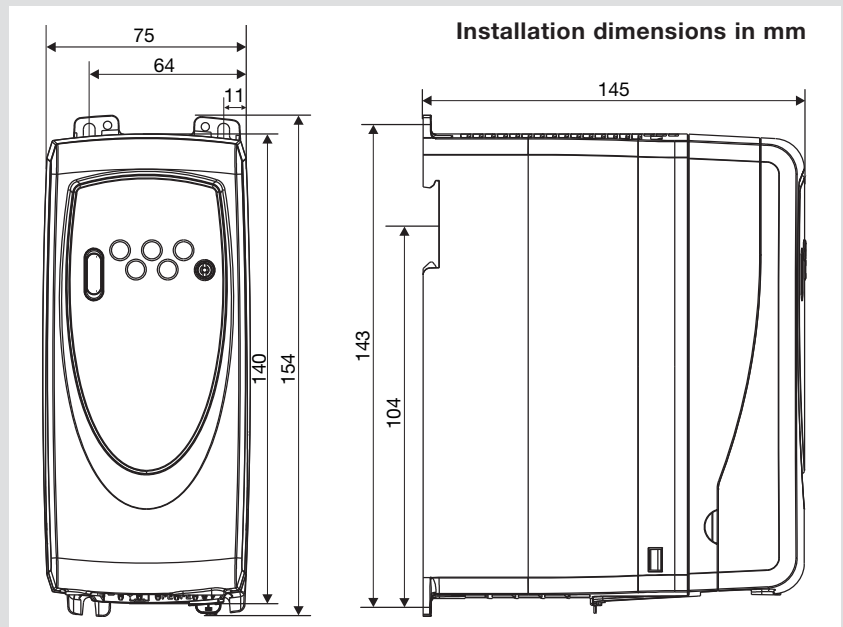
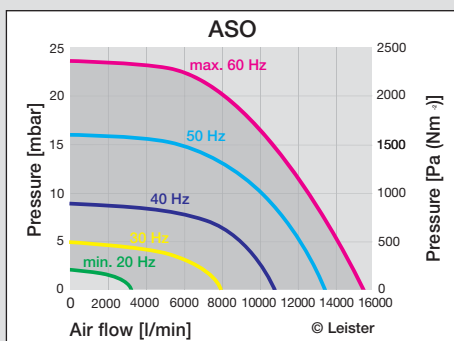
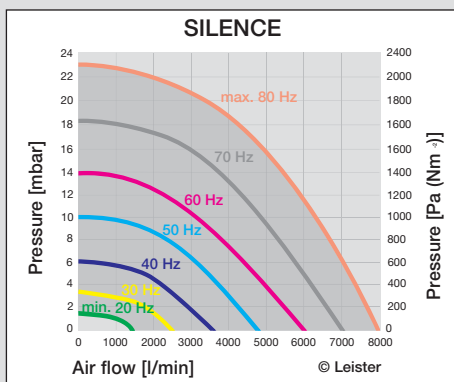
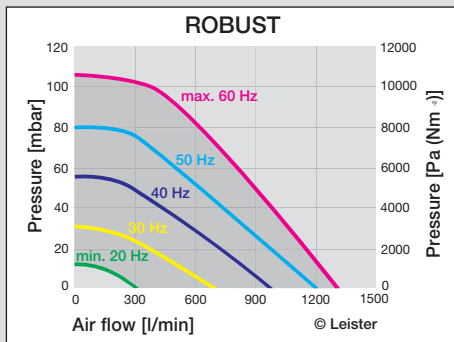


ASO



Benefit of frequency converter with Leister blowers

- Better hot air processes** Because air volume and heating performance can be set independently, precisely and reproducibly from each other.
- Up to 60% higher blower performance** Because the frequency converter lets the blower turn faster than the mains frequency (see diagram below).
- Lower system costs** Smaller and cheaper blowers can be used or fewer blowers will be necessary, because multiple air heaters can be connected to a blower.
- Easy to integrate in the controller** By the remote control interface 4-20mA/0-10V or by fixed set values (up to 4) via clamp contacts.
- Air supply controller** Active braking function enables quick air volume changes, i.e. for timed systems.
- Save energy – heat only when necessary** There are timed processes, where hot air is necessary within a clearly defined time window. For the rest of the time, the air volume can be minimised and the heating performance switched off.
- Simple plug & play installation** The frequency converter is already configured for operation with Leister blowers.
- Secure** Integrated current monitoring and a built-in motor protection switch protect the blower.
- Elimination of the motor condensator** This function is already integrated in the frequency converter.



Technical Data

Input voltage	V~	1 × 200 – 240 VAC
Max. blower rated power	W	550
Frequency	Hz	50 / 60
Typical input current at full load	A	8.1
Output rated power (100%)	A	3.0
Weight	kg	1.0
Mark of conformity	CE U	
Protection class I	⊕	

Article No. 117.359 frequency converter FC 550